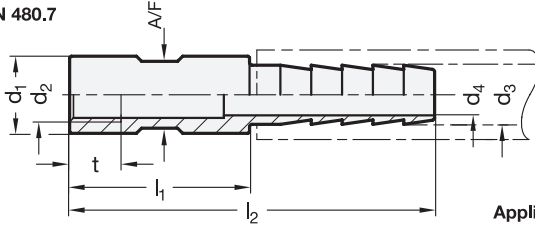
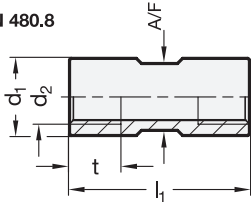


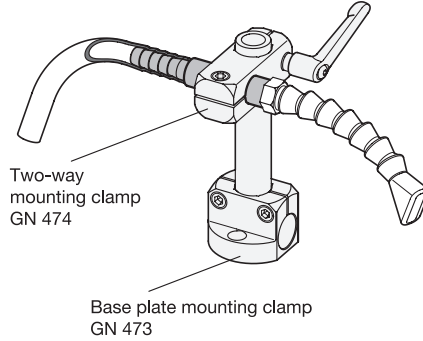
GN 480.7



GN 480.8



Application example



3.1

3.2

3.3

3.4

1 d ₁ h ₉	2 d ₂ - t GN 480.7 Thread-Ø - Thread depth				2 d ₂ - t GN 480.8 Thread-Ø - Thread depth		3 d ₃	d ₄	l ₁	l ₂	A/F
D 10	M 5 - 8,5	M 6 - 10,5	-	-	M 5 - 8,5	-	4	2,5	30	48	8
D 10	M 5 - 8,5	M 6 - 10,5	-	-	M 6 - 10,5	-	6	4,5	30	57	8
D 12	M 7 - 11,5	M 8 x 1 - 10	-	-	M 7 - 11,5	-	6	4,5	30	57	10
D 12	M 7 - 11,5	M 8 x 1 - 10	-	-	M 8 x 1 - 10	-	9	7	30	63	10
D 15	M 10 x 1 - 10	-	G 1/8 - 8	-	M 10 x 1 - 10	G 1/8 - 8	9	7	35	68	13
D 15	M 10 x 1 - 10	-	G 1/8 - 8	-	-	-	10	8	35	71	13
D 16	M 12 x 1,5 - 14	-	G 1/8 - 8	-	M 12 x 1,5 - 14	G 1/8 - 8	10	8	35	71	14
D 16	M 12 x 1,5 - 14	-	-	-	-	-	12	9	35	71	14
D 16	-	-	G 1/8 - 8	-	-	-	12	8	35	71	14
D 20	M 16 x 1,5 - 15	-	G 3/8 - 12	G 1/4 - 12	M 16 x 1,5 - 15	G 3/8 - 12	12	9	40	76	18
D 20	M 16 x 1,5 - 15	-	G 3/8 - 12	G 1/4 - 12	-	G 1/4 - 12	16	12	40	76	18

3.5

3.6

Specification

- Stainless steel AISI 304
Plain, unfinished
- ISO Fundamental Tolerances → Page 2151
- Stainless Steel Characteristics → Page 2166
- RoHS

Information

Hose adapters GN 480.7 and/or thread adapters GN 480.8 can attach e.g. air nozzles or coolant nozzles and their feed pipes with clamp mountings and hold them in position.

The d₂ / d₃ thread and barbed fitting diameters are compatible with the most common bolt and internal hose diameters. Hose lines are attached to the barbed fitting with suitable hose clamps, securing them against slipping off.

see also...

- Base Plate Clamp Mountings GN 473 → Page 1789

How to order (Hose adapter)		1	d ₁
GN 480.7-D20-M12x1,5-16	1	2	d ₂
	2	3	d ₃

How to order (Thread adapter)		1	d ₁
GN 480.8-D12-M12x1,5	1	2	d ₂

3.7

3.8

3.9